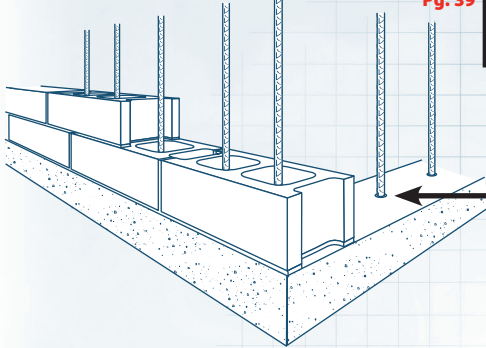


Concrete & Masonry Contractor Applications

Concrete Block Reinforcement



- NSF /ANSI 61
- Vibration resistant
- Corrosion resistant

Pg. 39



Pg. 46

- Slow curing adhesive—ideal for moderate to hot climates

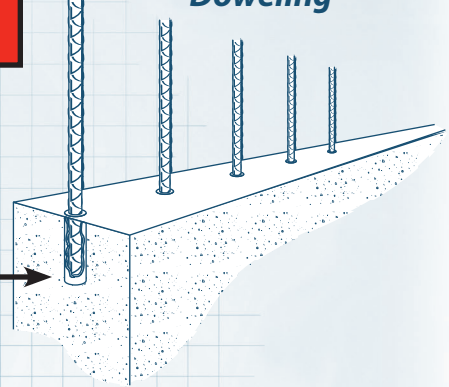


Pg. 23

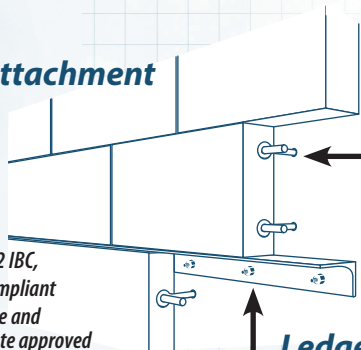


- Fast curing adhesive—ideal for moderate to cold climates

Rebar Doweling



Stone Attachment



- 2006 IBC, 2009 IBC, 2012 IBC, & 2015 IBC Compliant
- All seismic zone and cracked concrete approved
- Thru fixture fastening

Pg. 63

Ledger Angle Attachment

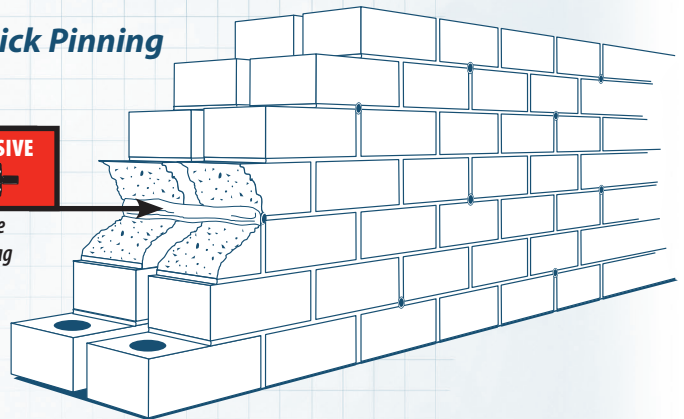


Pg. 69



- Fully threaded for maximum versatility
- Available in carbon, hot dipped galvanized and stainless steel

Brick Pinning

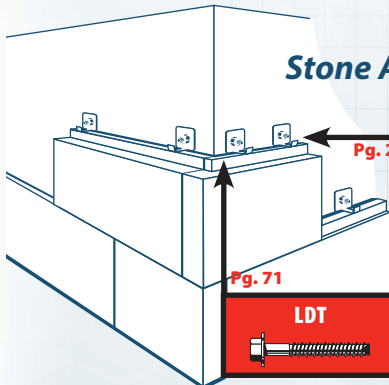


Pg. 23



- Compact space
- No-drip—no sag formula
- Easy clean up

Stone Attachment



Pg. 23



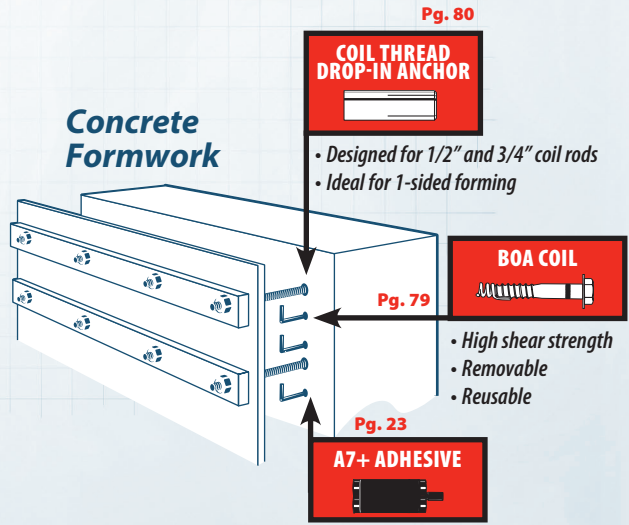
- High load capacity in concrete block
- No drip—no sag formula
- Easy clean up

Pg. 71



- Finished head
- Removable
- For use in concrete

Concrete Formwork



Pg. 80



- Designed for 1/2" and 3/4" coil rods
- Ideal for 1-sided forming

Pg. 79



- High shear strength
- Removable
- Reusable

Pg. 23



- Fast curing adhesive for rebar doweling

For seismic recognition, see ICC-ES evaluation reports.

For installation guidelines for your application, please contact our Technical Services Department at 1-800-848-5611.

ITW Red Head

Call our toll free number 800-848-5611 or visit our web site for the most current product and technical information at www.itwredhead.com

RED HEAD